

PRODUCT INFORMATION PACKET

Model No: 404TSTDS6327

Catalog No: U452A

100 HP General Purpose Motor, 3 phase, 1800 RPM, 230/460 V, 404TSC Frame, ODP
Three Phase ODP Motors



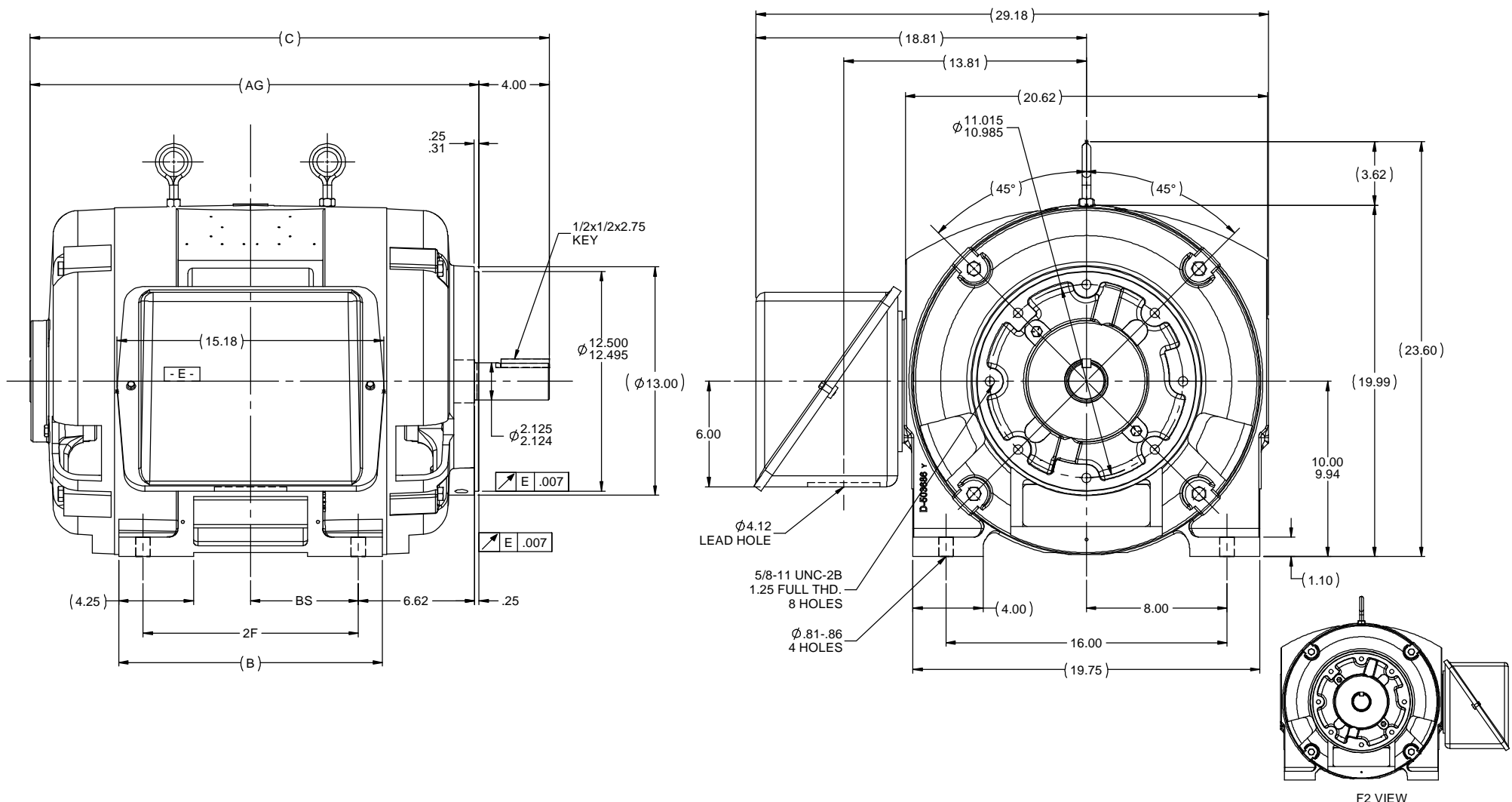
Nameplate Specifications

Output HP	100 Hp	Output KW	75.0 kW
Frequency	60 Hz	Voltage	230/460 V
Current	226.0/113.0 A	Speed	1785 rpm
Service Factor	1.15	Phase	3
Efficiency	95.4 %	Power Factor	86
Duty	Continuous	Insulation Class	F
Design Code	B	KVA Code	G
Frame	404TSC	Enclosure	Drip Proof
Thermal Protection	No	Ambient Temperature	40 °C
Drive End Bearing Size	6313	Opp Drive End Bearing Size	6313
UL	Recognized	CSA	Y
CE	Y	IP Code	12

Technical Specifications

Electrical Type	Squirrel Cage Induction Run	Starting Method	Part Wdg Start Low Volt Only & Wye Start Delta Run
Poles	4	Rotation	Reversible
Resistance Main	.0545 Ohms	Mounting	Rigid Base
Motor Orientation	Horizontal	Drive End Bearing	Ball
Opp Drive End Bearing	Ball	Frame Material	Cast Iron
Shaft Type	TS	Overall Length	29.50 in
Frame Length	15.50 in	Shaft Diameter	2.125 in
Shaft Extension	4 in	Assembly/Box Mounting	F1/F2 Capable

This is an uncontrolled document once printed or downloaded and is subject to change without notice. Date Created:01/11/2019



- NOTES:
1. BOX CAN BE ROTATED IN 90 ° STEPS.
 2. BOX CAN BE MOUNTED ON OPPOSITE SIDE BY REMOVING BRACKETS AND TURNING FRAME 180 °.
 3. NAMEPLATES TO BE READ FROM CONDUIT BOX SIDE OF MOTOR.

DASH	FRAME	B	C	2F	AG	BS
1550	404TSC	15.00	29.50	12.25	25.50	6.12
1700	405TSC	16.50	31.00	13.75	27.00	6.88

REVISION		BY & DATE	CHK	LANG	±1/2°	FINISH	PREV	SIZE	DRAWING NO	REV
07	ADDED F2 VIEW PER MU108019, REDRAWN IN SOLIDWORKS	JG 07/16/2012	DJK	DEC	INCHES			B	SS510954	07
06	REDRAWN IN AUTOCAD	TAT 06/29/2004	ML	X	±.1					
05	REPLACED ONE EYEBOLT FOR TWO CN28063	BJW 2/10/2000	XX		±.03	TITLE	OUTLINE			SCALE 3:16
04	UPDATED C'BOX GEOMETRY CN28063	TRB 02/10/2000	XXX		±.005		400TSC FR. - DR. PR. - (STD) - C'FACE			REF
03	REDRAWN IN AUTOCAD	TLB 02/29/1988	XXXXX		±.0005	MATL				FMF
NO										PAGE OF





LOW VOLTAGE

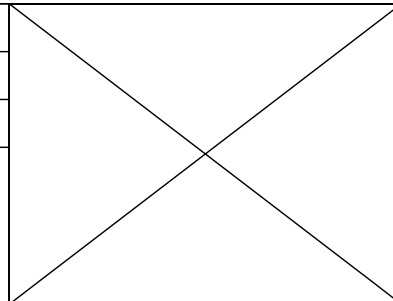


HIGH VOLTAGE



VIEW OF TERMINAL END

DRAWING REVISION K	REVISION BY AJW	DATE 07-17-2015
ECO ECO-0081632	APPROVED BY T. VUE	DATE 07-17-2015
ECO DESCRIPTION REV'D IEC MARKINGS PER IEC 60034-8		
<small>COPYRIGHT REGAL BELOIT AMERICA, INC. ALL RIGHTS RESERVED. PROPRIETARY AND CONFIDENTIAL INFORMATION - THIS DOCUMENT IS THE PROPERTY OF REGAL BELOIT AMERICA, INC. ("OWNER") AND CONTAINS OWNER'S PROPRIETARY INFORMATION. ANY PERSON, CORPORATION OR OTHER FIRM RECEIVING IT IS DEEMED, BY RECEIVING IT, TO AGREE THAT IT, AND/OR ANY PART OF IT, SHALL NOT BE DISCLOSED TO ANY PERSON, CORPORATION OR OTHER ENTITY, DUPLICATED, AND/OR USED, EXCEPT AS EXPRESSLY APPROVED IN WRITING IN ADVANCE BY OWNER. THIS DOCUMENT SHALL BE RETURNED TO OWNER UPON REQUEST. IT MAY BE SUBJECT TO CERTAIN RESTRICTIONS UNDER APPLICABLE EXPORT CONTROL LAWS AND REGULATIONS.</small>		



DRAWN BY LZ	Regal Beloit America, Inc.	
DATE 01-12-1994		
APPROVED BY GK	DESCRIPTION CONN DIAGRAM-EXTERNAL 3Ø-2/1 DELTA-12 LEADS	
DATE 01-14-1994		
REFERENCE	MATERIAL	PROCESS/FINISH
THIRD ANGLE PROJECTION	SIZE A	DRAWING NUMBER EE7308AA
		SHEET 1 OF 1